



LEECMOORE[®]
A Woolslayer Company

RIG ROVER[®] PAD RIG MOVING SYSTEM

A market leader in well-to-well pad rig moving systems.

Increase efficiency of on-site rig moves with a LCM-WCI Rig Rover[®] pad rig moving system. The Rig Rover[®] includes lifting cylinders capable of raising an entire drilling structure 12 inches above the matting boards and moves up to 25 feet, all in less than 15 minutes.

For maximum mobility, hydraulic skidding cylinders move the drilling structure any direction and about its own axis. When on the new well pad location, the skidding pads can be used to level the drilling structure.



Visit us online at lcm-wci.com or speak with an expert: +1.800.864.8794 | +1.918.523.9191
Onshore | Offshore | Masts | Derricks | Custom Drilling Equipment | Service

RIG ROVER®

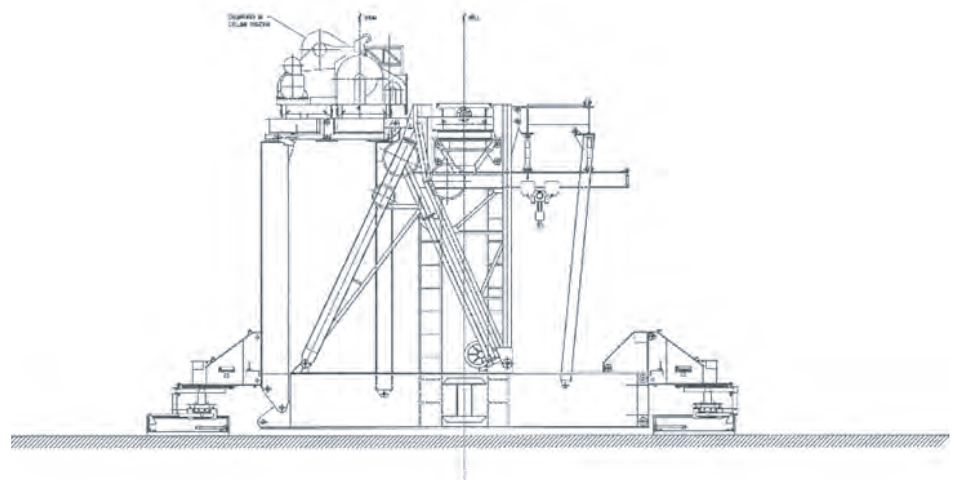
PAD RIG MOVING SYSTEM



Features and benefits:

- Designed and manufactured to AISC specifications
- Eliminates the need to disassemble the drilling structure during pad drilling which reduces rig-up & rig-down expense
- Reduces potential for damage or injury during the rig-up & rig-down activity
- Can include a unique control console or can be integrated into an existing Hydraulic Power Unit
- Can be mounted internally or externally on the substructure
- Can include wireless remote control capability
- Can be turned manually or with hydraulic drive motors by using the directional pads
- Interchangeable goosenecks ensure that the Rig Rover® is compatible with multiple styles of drilling structure
- Steering posts lock into position to ensure that all four corners of the drilling structure are moving in the same direction

Dimensions/Schematic



Contact Information:

KINGDOM OF SAUDI ARABIA

Andrii Kurylyshyn
Supervisor, Production &
Service Support – Middle East
f: +966-050-756-5239
e: akurylyshyn@lcm-wci.com

INDIA

Saurabh Jawa (New Delhi)
f: +91 729-008-0707
e: sjawa@lcm-wci.com
Ankit Dhyani (New Delhi)
f: +91990-403-7987
e: adhyani@lcm-wci.com

INTERNATIONAL

Casey E. Halford
Director, Sales &
Field Services | USA
f: +1-918-520-0786
e: int-sales@lcm-wci.com

USA

Randon Lingle
f: +1 405-435-8891
e: rlingl@lcm-wci.com

Specifications

3000 psi Operating Pressure

9 ft/min Lift Speed

70 ft/min Travel Speed

18 in - 36 in Travel Strokes

600 tm - 1500 tm Capacities